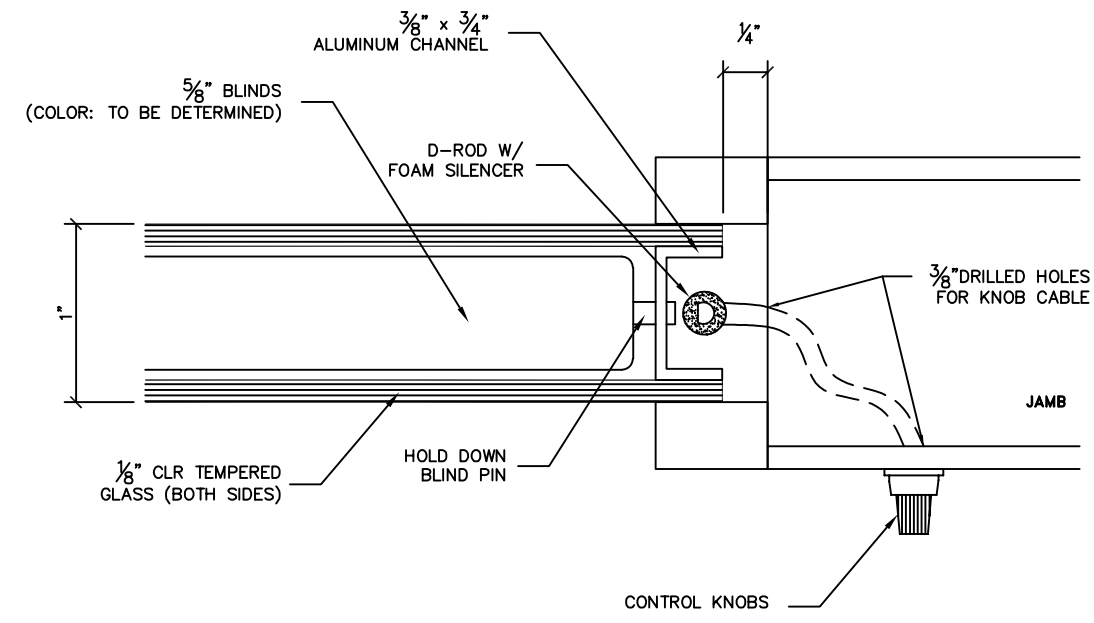
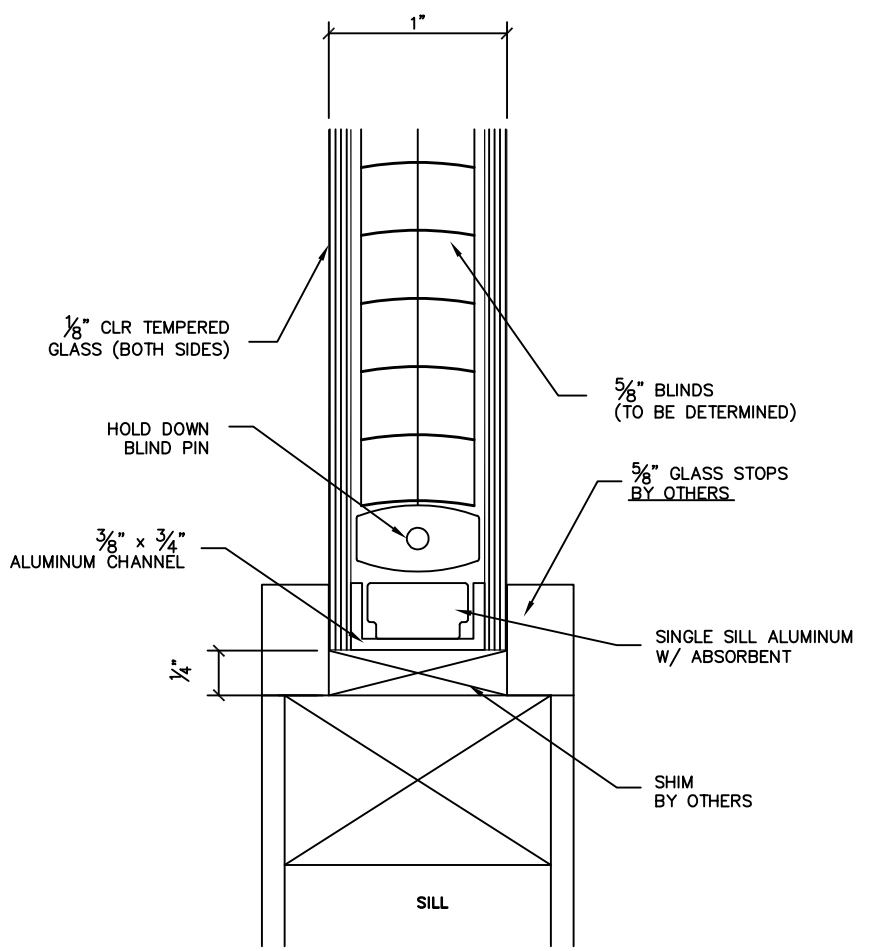
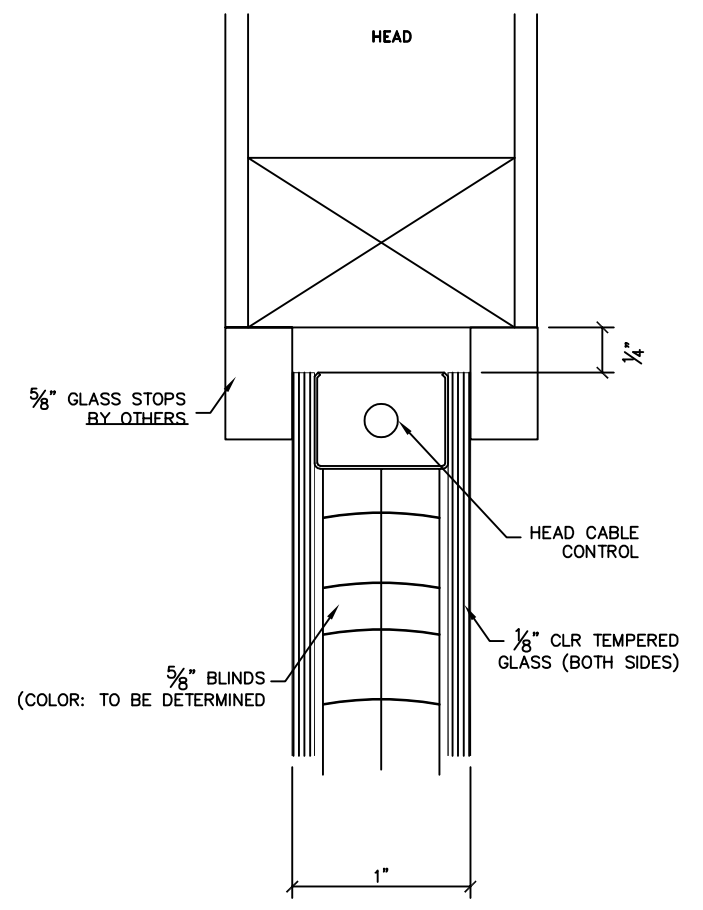


2 THIS ELEVATION
REF: SCALE: NTS

NOTE TO ARCHITECT, GENERAL CONTRACTOR & ALPHA COMMERCIAL BLINDS CUSTOMERS
ALL DIMENSIONS & CONDITIONS MUST BE FIELD VERIFIED PRIOR TO FABRICATION
 ALPHA COMMERCIAL BLINDS WILL ASSUME THESE SHOP DRAWINGS ARE CORRECT AS DRAWN IF THE ABOVE NOTE & "PLEASE VERIFY" NOTES THROUGHOUT THESE DRAWINGS ARE NOT ADDRESSED, NOT VERIFIED OR COMPLETELY IGNORED

SIGNATURE OF APPROVAL OF DIMENSIONS AND CONDITIONS INDICATED ON THESE DRAWINGS ARE CORRECT AS SHOWN OR AS CORRECTED AND HEREBY AUTHORIZE FABRICATION OF THE MATERIALS HEREON



- NOTES**
- 1/8" CLEAR TEMPERED GLASS INTERIOR & EXTERIOR
 - 5/8" MICROBLIND (COLOR: TBD)
 - STRAIGHT CONTROL KNOB (BOTTOM RIGHT CORNER)



ALPHA
Commercial Blinds

P.O. Box 30005
Little Rock, AR 72260-0005
10900 Otter Creek East Blvd.
Mabelvale, AR 72103
501-455-1324
501-455-0364

REVISIONS	JOB NAME:
	1 INCH SEALED BLIND UNIT
	LOCATION:
	ARCHITECT:
	CUSTOMER:
	DATE:
	SHEET NO: 1

ADR CHECK: SE
DRAWN: SE
JOB NO: