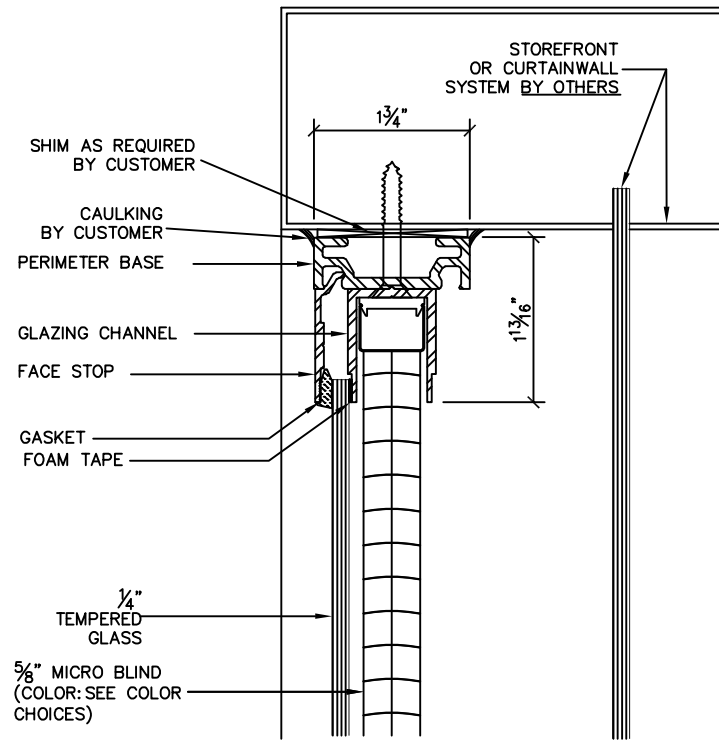
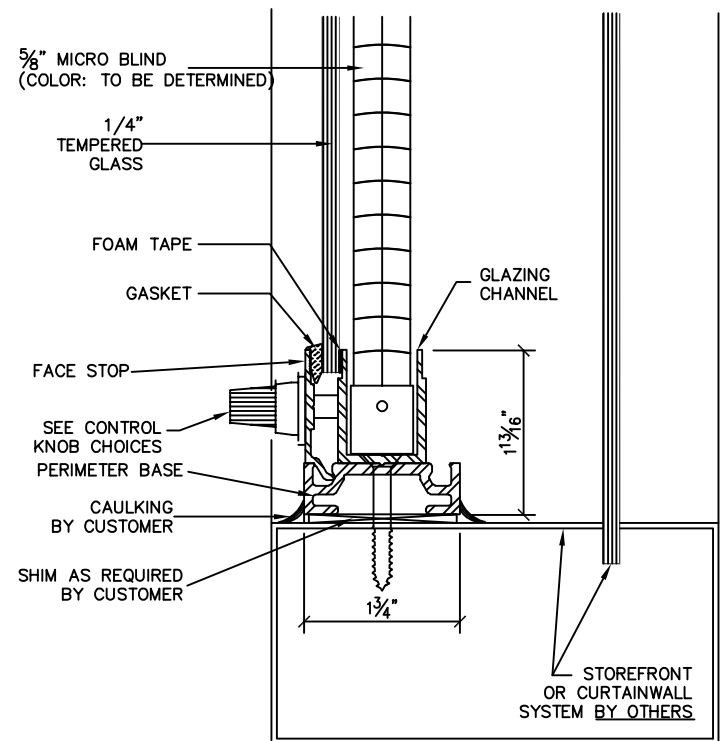


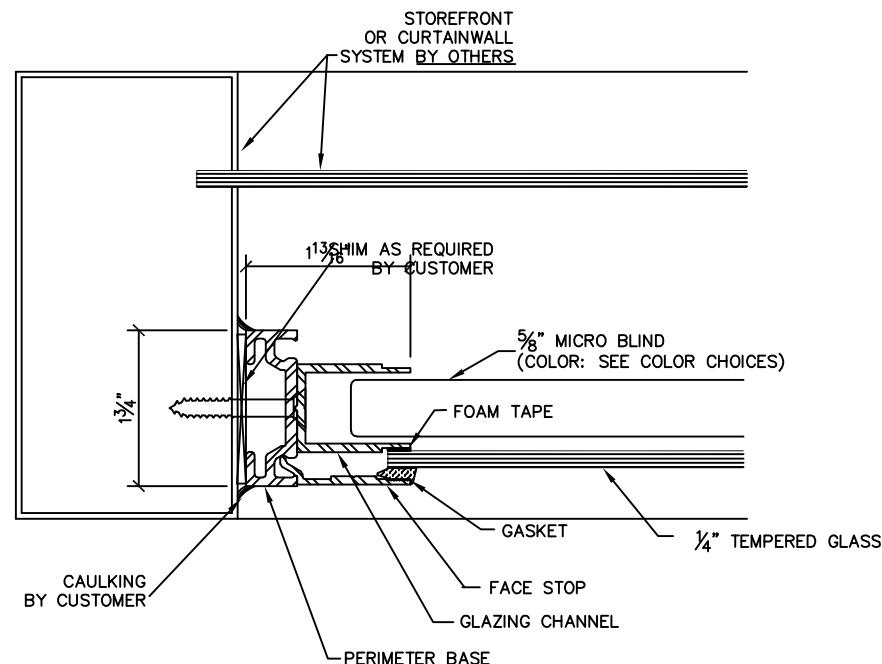
ELEVATION - INTERIOR VIEW
 REF: SCALE: 3" = 1'-0"



SECTION "A"
 REF: FULL SIZE



SECTION "B"
 REF: FULL SIZE



SECTION "C"
 REF: FULL SIZE

NOTES

- DESIGNED TO FIT 1/4" TEMPERED GLASS ON INTERIOR (BY CUSTOMER)
- EXTERIOR CURTAINWALL BY OTHERS
- ALUMINUM FRAME IN CLEAR or DARK BRONZE ANODIZED ALUMINUM, PAINTED OR POWDER COATED FINISH
- 5/8" MICROBLIND (COLOR: SEE COLOR CHOICES)
- SEE CONTROL KNOB CHOICES



ALPHA
 Commercial Blinds

P.O. Box 30005
 Little Rock, AR 72260-0005
 10900 Otter Creek East Blvd.
 Mabelvale, AR 72103
 501-455-1324
 501-455-0364

REVISIONS	JOB NAME: 5/8" BLIND BEHIND CURTAINWALL
ADR CHECK:	LOCATION:
DRAWN:	ARCHITECT:
JOB NO:	CUSTOMER:
	DATE:
	SHEET NO: 1